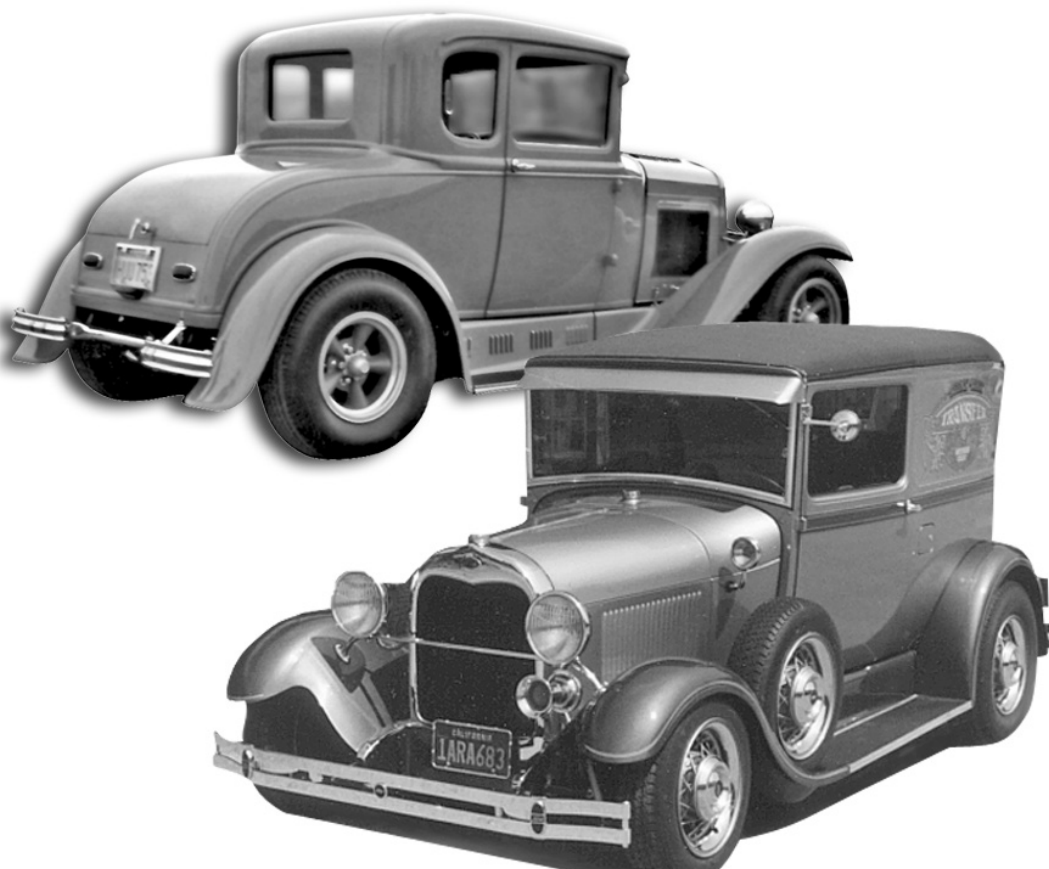


1928-31 FORD CARS



TECHNICAL INFO FOR FIREWALLS	2
28-29 FIREWALLS.....	2
30-31 FIREWALLS	2
FLOORBOARDS	3
TRANNY COVER.....	4
SMOOTHIE RUNNING BOARDS	5
DEEP WHEEL WELL KITS	5
UNIVERSAL PARTS.....	6

NOTICE: Many 28/31 FORD Passenger & Truck Parts are the same. Check the 28/31 truck section for more parts.

Prices are subject to change without notice.

The Set-Back Information Provided on This Page Is For your Information

These references are to help you decide which firewall kit will best fit your particular application. There are many factors which will affect your choice of kits. Engine set-back, radiator core thickness, air conditioning or superchargers. You need to determine the length of the engine package you intend to install & then figure out the distance you have from the back of the radiator core to the stock or existing firewall. By doing this, you will know how much extra room or set-back you will need. The firewall only fits in one place in the body, but your engine can be moved forward or backward as much as needed to obtain proper clearances. If you have any questions, please call our customer service line at (928) 420-6346.

28 - 29 FORD FIREWALLS & TECHNICAL INFORMATION



\$350.00

281000 28-29 FORD FIREWALL KIT
This is the complete firewall kit consisting of the upper & lower sections.



\$285.00

281002 28-29 LOWER FIREWALL KIT
The lower section may be used with the stock upper section which is very near the stock fuel tank. Be careful when welding near it. Yes, you can still squeeze the old V-8 into place.

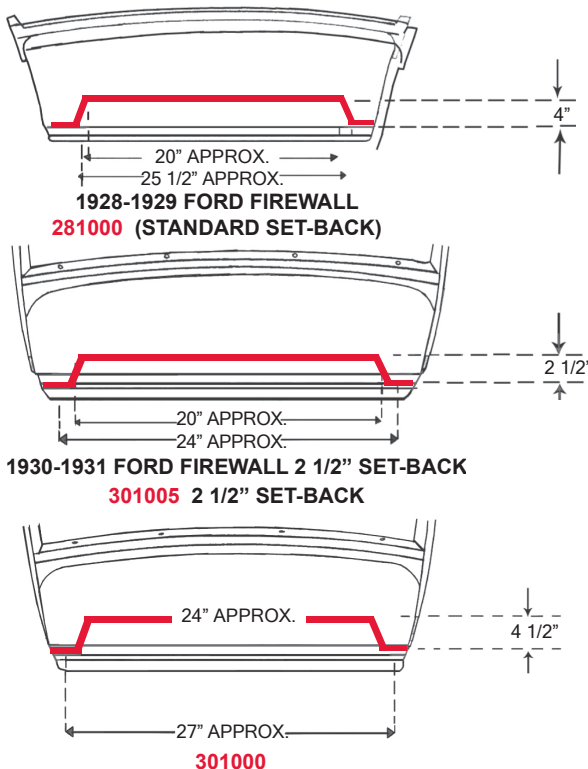


\$145.00

281003 28-29 UPPER FIREWALL KIT

The upper section can be used with the stock lower firewall if you so desire. Just the thing if you are running a V-6 & want to spruce up the engine compartment a bit.

The 28 & 29 firewalls were among the first products manufactured by us for the Street Rodder. The upper or lower sections may also be purchased separately. Since the 28 & 29 Model 'A' cowl is very small, we only make one set-back firewall kit for these bodies. These firewalls are precision built from 16 gauge cold rolled steel. Each kit comes complete with all the instructions, ready for you to install (we also manufacture complete front floorboard kits to match up to all our firewalls).



30 - 31 FORD FIREWALLS



\$350.00

301005 30-31 SMALL BLOCK FIREWALL KIT

This firewall has an appropriate 2 1/2" Set-back from the cowl front edge. REMEMBER, your original firewall protruded forward 2" from the edge of your cowl; therefore, your total set-back from the position of your stock firewall will be 4 1/2".



\$385.00

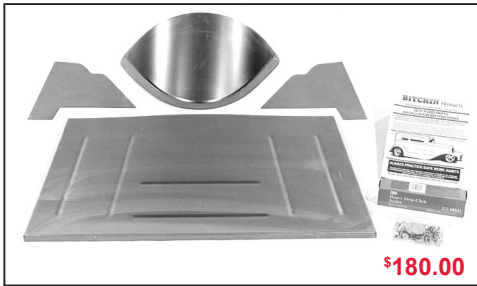
301000 30-31 BIG BLOCK FIREWALL KIT

Need more engine room? This kit has it. This firewall has a 4 1/2" set-back from the front edge of your cowl. REMEMBER, your stock firewall protruded 2"; therefore, our total set-back from the position of your stock firewall is now 6 1/2".

ALL SET-BACK MEASUREMENTS ARE TAKEN FROM THE COWL EDGE WITH THE STOCK FIREWALL REMOVED. KEEP IN MIND THE FACE OF THE STOCK FIREWALL PROTRUDES ABOUT 2" IN FRONT OF THE COWL EDGE.

NOTE: These firewalls are designed for the most popular engine-transmission conversion which is Chevy engine & GMC turbo transmission. Any other engine installation (Ford, Mopar, etc.) may require rework of the bell housing area of the firewall.

FLOORBOARDS

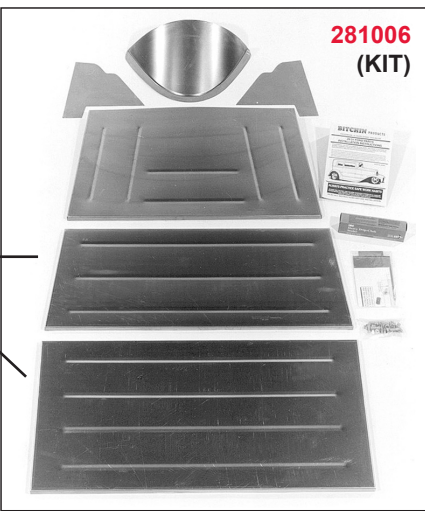


\$180.00

281005 28-31 FORD FRONT FLOORBOARD

All models including the ford trucks are designed for our firewalls.

NOTE:
The complete floorboard kits do not come with the last pan over the rear end. The many frame manufacturers make their frames very differently... making it impossible to manufacture a standard pan that fits all cars.



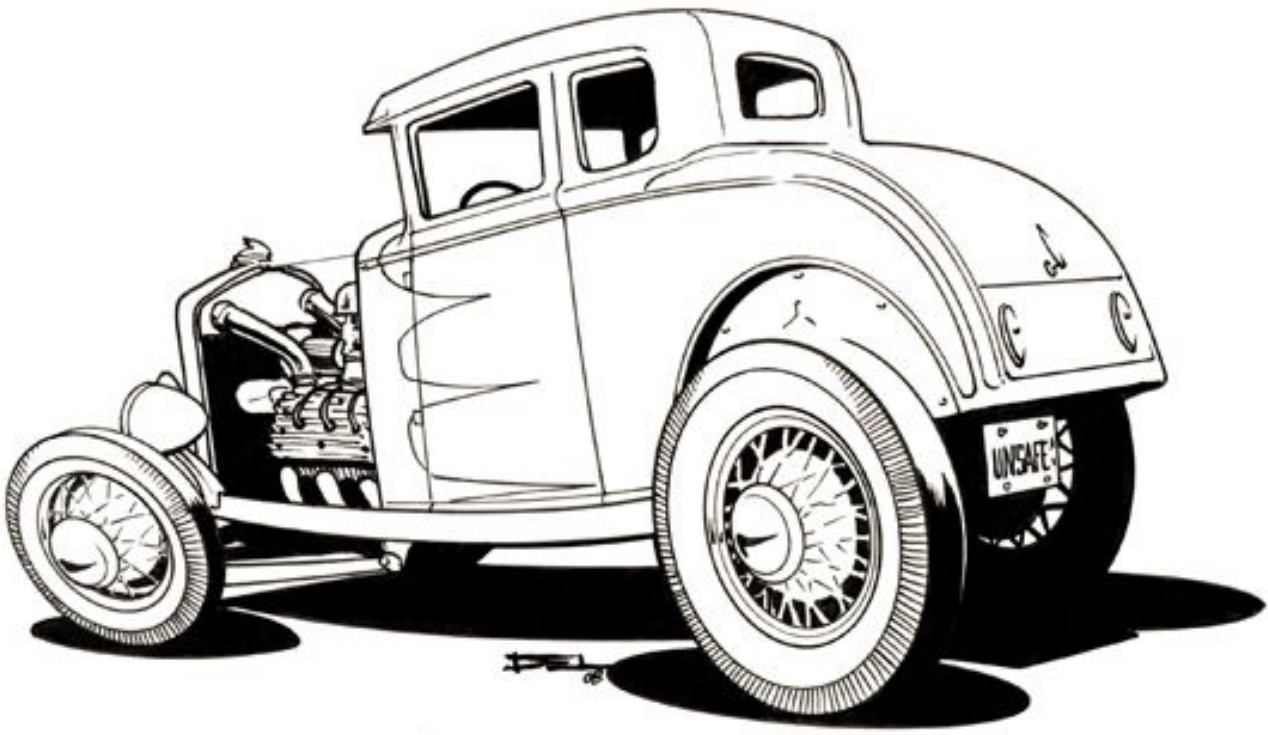
281006 (KIT)

281008

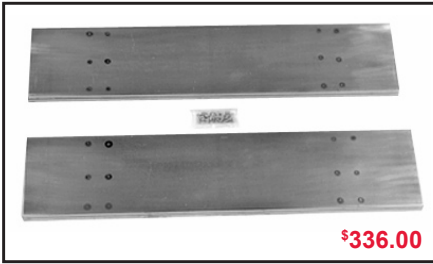
281009

- 281007 28-31 FORD TRANNY COVERS ONLY.....\$70.00**
- 281008 28-31 FORD UNDER SEAT PAN (Does not fit 30-31 Coupes).... \$99.00**
- 281009 28-31 FORD PAN-BEHIND-SEAT (All Models).....\$105.00**
- 281015 30-31 FORD UNDER SEAT PAN (Coupe Only).....\$95.00**

- 281006 COMPLETE FLOOR KIT (Fits - 28-31 2-Door Sedan, Roadster Phaetons & 28-29 Coupes).....\$350.00**
- 281014 COMPLETE FLOOR KIT (Fits - 30-31 Coupe).....\$350.00**



SMOOTHIE RUNNING BOARDS



281055 28-29 FORD SMOOTHIE RUNNING BOARD KIT

\$336.00



301022 30-31 FORD SMOOTHIE RUNNING BOARD KIT

\$336.00

We manufacture one of the nicest smoothie all steel running boards on the market today. It is made out of 16 gauge cold rolled steel & is a quality piece of work. The fit & detail is superb & if your project demands the best, these running boards will fill the bill. As always, we manufacture all of our parts in our Prescott area facility.

**CALL
1-928-420-1254
TO ORDER
TODAY!**

Tranny Tunnel



281007 28-31

\$70.00

**CALL
1-928-420-1254
TO ORDER
TODAY!**

DEEP WHEEL WELL KITS



281023 28-29 FORD SEDANS & PHAETONS

\$336.00



281024 28-31 FORD COUPES & ROADSTERS

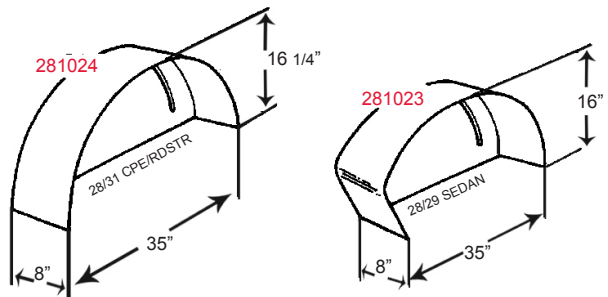
\$336.00



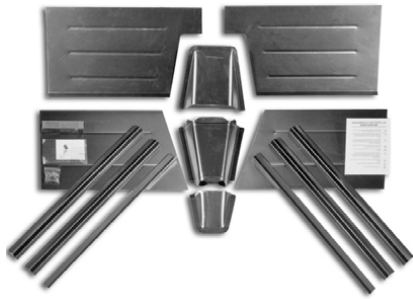
301019 30-31 FORD SEDANS

\$336.00

Our deep wheel well kits will help you eliminate tire interference often encountered with those wide pro-street tires, off-set wheels, independent suspension or normal body roll on sedans. Our wheel wells come in standard width of 8". Deeper wheel wells can be special ordered for an additional cost of \$35.00.



UNIVERSAL FLOORS



901030 \$325 All Purpose Front Floor Kit



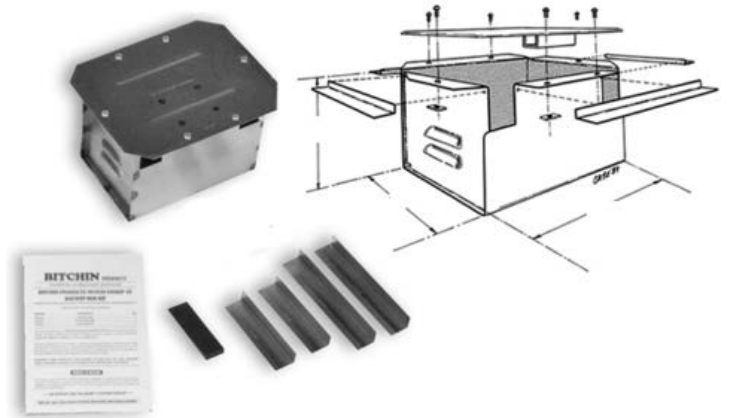
901035 \$325 All Purpose Rear Floor Kit

BATTERY BOXES

BATTERY BOXES

Group 42	901020	\$110.00
Group 71	901006	\$110.00
Optima Box	901040	\$1100.00

Mounting a battery in a street rod has always created problems, some major and some minor. Our battery box kits will solve most of the problems. The universal mounting brackets supplied with these kits allow you to choose the mounting method which best suits your application, including flush floor mounting, side mounting, or halfway through the floor for extra ground clearance. We offer three kits. The positive battery hold down, adequate ventilation & cable protection give added security to your battery installation.

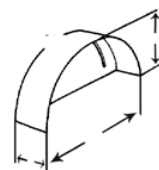


Group 42: 9 3/4 L x 7 W x 7 1/2 H
 Group 71: 8 1/2 L x 7 1/4 W x 9 1/4 H
 Optima: 10 1/2 L x 7 1/4 W x 8 1/2 H

UNIVERSAL DEEP WHEEL TUB



901010 \$358 Deep Wheel Tubs Universal



14", 36 1/4", 16"

You Plan on Putting Wide Wheels & Tires on Your Car or Pro-Streeting it, We Have Just What You Need. Our Universal Deep Wheel Tub Kit (No. 901010) Was Designed for Just That. These 18 Gauge Cold Rolled All Steel Wheel Tubs Are 36" From End to End & a Full 14" Deep. You Can Install These Beauties In As Deep As You Like for Your Particular Project. All Our Deep Wheel Tub Kits Have Mounting Angles.

Bitchin T-Shirts Now Available!



Jeff Hill, Owner, modeling our t-shirt while working in his shop.

ONLY \$15.95!

Sizes: Medium to 3XL

Black or White T-Shirt

Item number: BT(size) & WT(size)

ex: WT2XL = White Tshirt Size 2XL