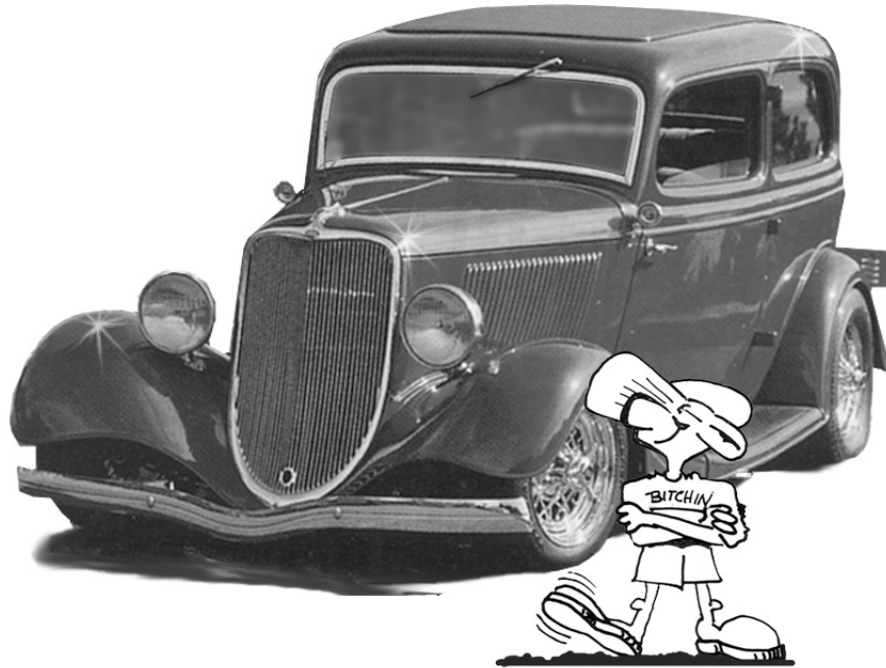


# 1933-34 FORD CARS



TECHNICAL INFO FOR FIREWALLS.....	2
FIREWALLKITS .....	2
FRONT FLOORBOARDS.....	3
REAR FLOORBOARDS .....	3
DEEP WHEEL WELL KITS .....	3
COWL VENT FILLER.....	3
UNIVERSAL PARTS.....	4

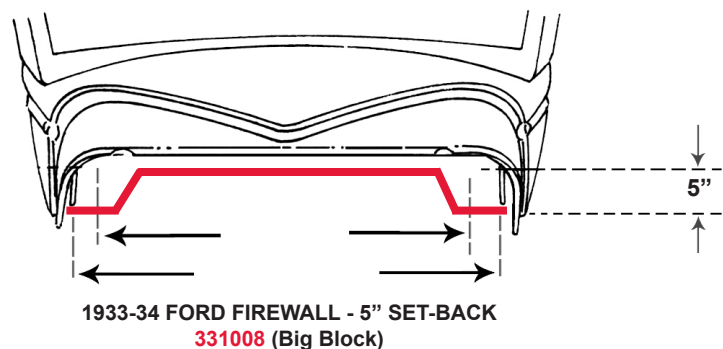
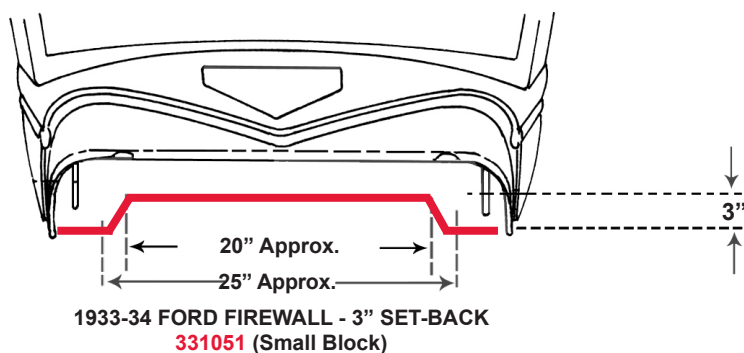
*All Prices are subject to change without notice.*

## FIREWALL TECHNICAL INFORMATION

### THE SET-BACK INFORMATION PROVIDED ON THIS PAGE IS FOR YOUR INFORMATION ONLY

These references are to help you decide which firewall kit will best fit your particular application. There are many factors which will affect your choice of kits; engine set-back, radiator core thickness, air conditioning or superchargers. You need to determine the length of the engine package you intend to install & then figure out the distance you have from the back of the radiator core to the stock or existing firewall. By doing this you will know how much extra room or set-back you will need. The firewall only fits in one place in the body, but your engine can be moved forward or backward as much as needed to obtain proper clearances. If you have any questions, please call our customer service line at (928) 420-6346.

### HOW TO MEASURE FOR THE FIREWALL



Measure the set-back from the face of the firewall back as illustrated

Even if your 1933-34 Ford firewall has never had an extra hole, it will take you longer to fill & finish the factory holes you don't want, than to install a new BITCHIN Parts® firewall. The trend in the 1980's & the 1990's has been to relocate the engine by setting it back further to allow you enough room for a thicker radiator core, fans, air conditioning & all those other desired accessories. By using our BITCHIN 16 gauge, made in the U.S.A. all steel firewall kit, you'll have the room you want. Our kit will give you that smooth modern design everyone likes. We offer two different set-backs for you to choose from.

### 1933-34 FORD FIREWALLS



331051 33-34 FORD FIREWALL KIT  
Small Block

\$410.



331008 33-34 FORD FIREWALL KIT  
Big Block

\$420.

All of our kits come with easy to follow instructions you'll need to make your installation quick & easy. Call our service department @ (928) 420-6346 for more information if you need it.



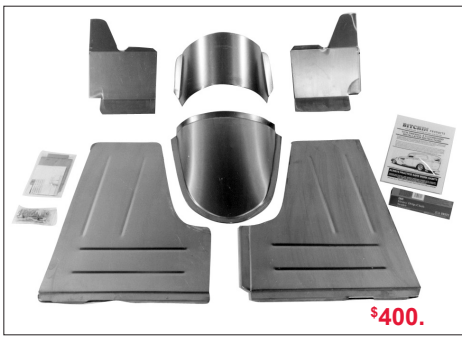
Call us @ (928) 420-1254 with any questions. We will be happy to help.

NOTE: These firewalls are designed for the most popular engine-transmission conversion which is Chevy engine & GMC turbo transmission. Any other engine installation (Ford, Mopar, etc.) may require rework of the bell housing area of the firewall.

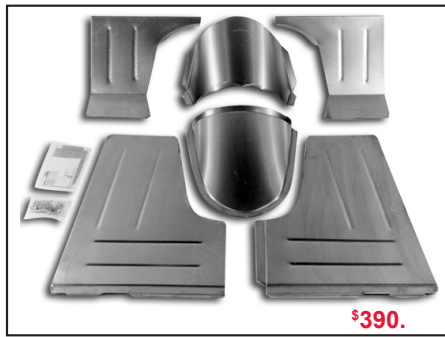
## FRONT FLOORBOARDS



**331053 33-34 FORD FRONT FLOOR KIT Small Block**  
 This kit is designed to match up to our firewall kit #331051.

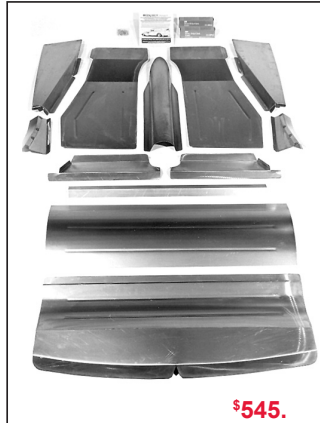


**331060 33-34 FORD FRONT FLOOR KIT Big Block**  
 This kit is designed to match up to our firewall kit #331008.

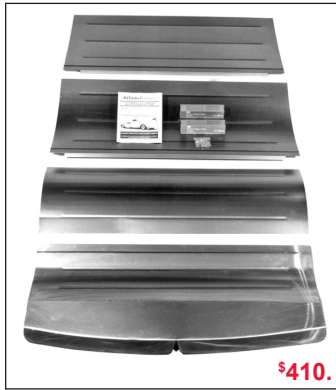


**331066 33-34 FORD FRONT FLOOR KIT Universal**  
 This kit is designed to be used with your stock firewalls or one modified by you.

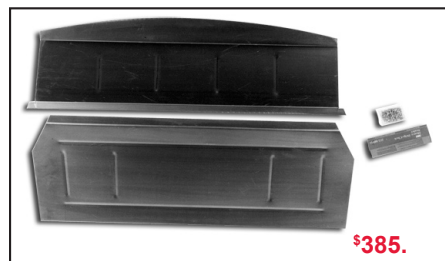
## REAR FLOORBOARDS



**331064 33-34 FORD REAR FLOOR KIT Foot Wells**

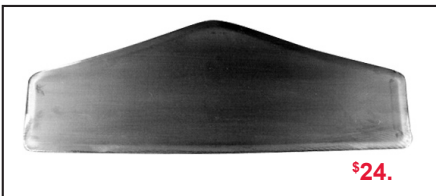


**331065 33-34 FORD REAR FLOOR KIT Smoothie**



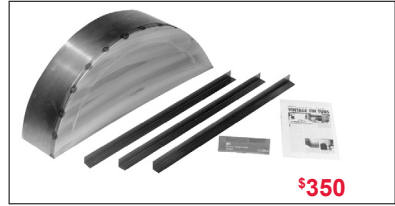
**331085 34 VICKIE REAR FLOOR KIT**  
 (Adds onto the rear floorboard kits)  
 Will not work with 1933 Vickies

## ACCESSORIES

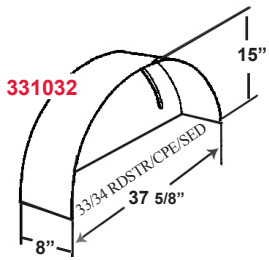


**331084 33-34 FORD COWL VENT FILLER**

## DEEP WHEEL WELL KIT



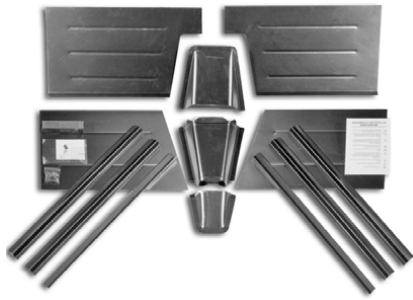
**331032 Roadster, Coupe, Sedan**



We manufacture wheel wells to fit big tires. The Wells are made out of 18 gauge cold rolled steel, precision formed & ready to install. Standard kits have an 8" deep flange. Deeper wheel wells can be special ordered for an extra \$35.00.

*Call our Service Dept. @ (928) 420-1254 for additional info.*

**UNIVERSAL FLOORS**



**901030 \$325** All Purpose Front Floor Kit



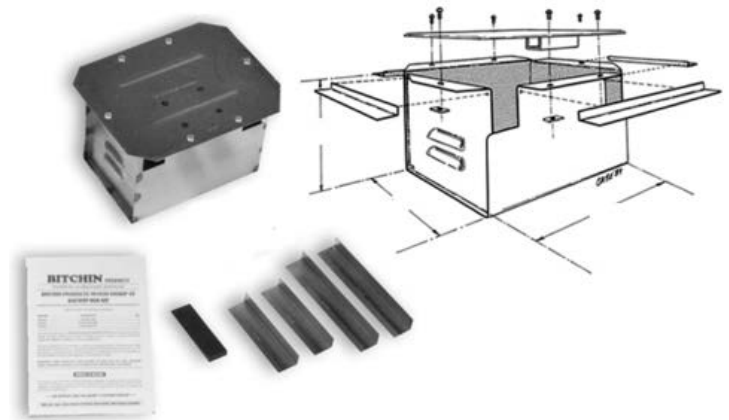
**901035 \$325** All Purpose Rear Floor Kit

**BATTERY BOXES**

**BATTERY BOXES**

Group 42	901020	\$110.00
Group 71	901006	\$110.00
Optima Box	901040	\$110.00

Mounting a battery in a street rod has always created problems, some major and some minor. Our battery box kits will solve most of the problems. The universal mounting brackets supplied with these kits allow you to choose the mounting method which best suits your application, including flush floor mounting, side mounting, or halfway through the floor for extra ground clearance. We offer three kits. The positive battery hold down, adequate ventilation & cable protection give added security to your battery installation.

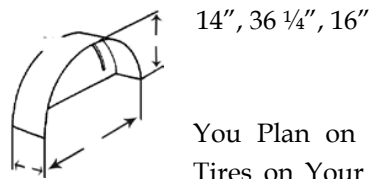


Group 42: 9 3/4 L x 7 W x 7 1/2 H  
 Group 71: 8 1/2 L x 7 1/4 W x 9 1/4 H  
 Optima: 10 1/2 L x 7 1/4 W x 8 1/2 H

**UNIVERSAL DEEP WHEEL TUB**



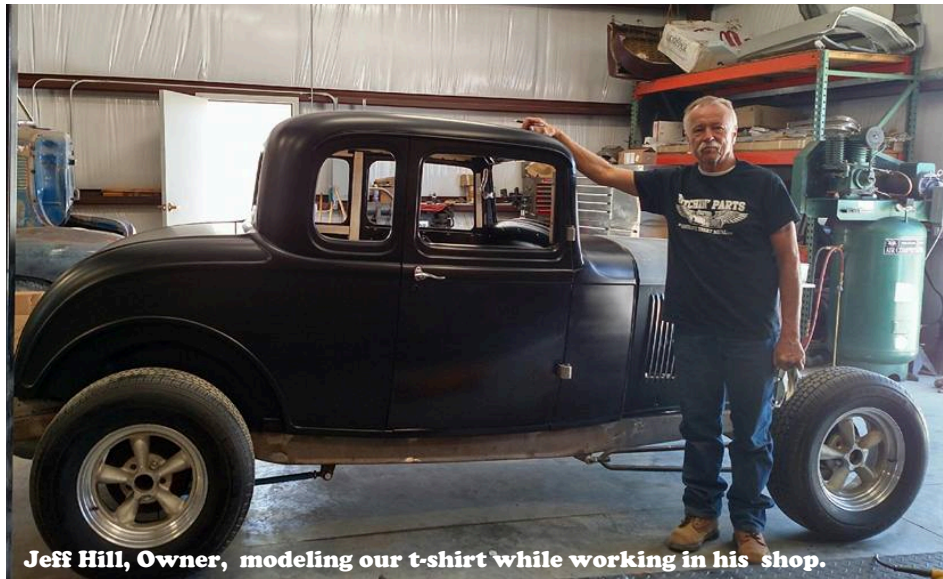
**901010 \$358** Deep Wheel Tubs Universal



You Plan on Putting Wide Wheels & Tires on Your Car or Pro-Streeting it, We Have Just What You Need. Our Universal Deep Wheel Tub Kit (No. 901010) Was Designed for Just That. These 18 Gauge Cold Rolled All Steel Wheel Tubs Are 36" From End to End & a Full 14" Deep. You Can Install These Beauties In As Deep As You Like for Your Particular Project. All Our Deep Wheel Tub Kits Have Mounting Angles.



# **Bitchin T-Shirts Now Available!**



Jeff Hill, Owner, modeling our t-shirt while working in his shop.

***ONLY \$15.95!***

**Sizes: Medium to 3XL**

**Black or White T-Shirt**

**Item number: BT(size) & WT(size)**

**ex: WT2XL = White Tshirt Size 2XL**