

1937-40 FORD CARS



Humpy Wheeler's 39, Charlotte, NC

TECHNICAL INFO FOR FIREWALLS	2
FIREWALL KITS	2
FENDER APRON KIT.....	2
COWL FILLER	2
FRONT FLOORBOARDS	3
REAR FLOORBOARDS	3
TRUNK FLOORBOARDS.....	3
REAR FLOOR SPECS INDEX.....	4
STONE GUARDS	5
DEEP WHEEL WELL KITS	5
DASHBOARDS.....	5
UNIVERSAL PARTS.....	6

All Prices are subject to change without notice.

37 - 40 FORD FIREWALLS & TECHNICAL INFORMATION

The Set-Back Information Provided on This Page Is For your Information

These references are to help you decide which firewall kit will best fit your particular application. There are many factors which will affect your choice of kits; engine set-back, radiator core thickness, air conditioning or super chargers. You need to determine the length of the engine package you intend to install & then figure out the distance you have from the back of the radiator core to the stock or existing firewall. To do this you will know how much extra room or set-back you will need. The firewall only fits in one place in the body, but your engine can be moved forward or backward as much as needed to obtain proper clearances. If you have any questions, please call our customer service dept. @ (928) 420-1254.



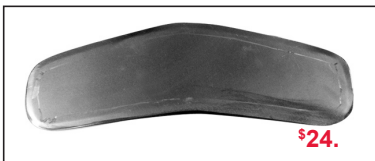
371030 37-40 FORD FIREWALL KIT Small Block

This small block kit has a set-back approximately 24 1/2" wide & 3" deep. This will handle most of the small block engines without any difficulty.

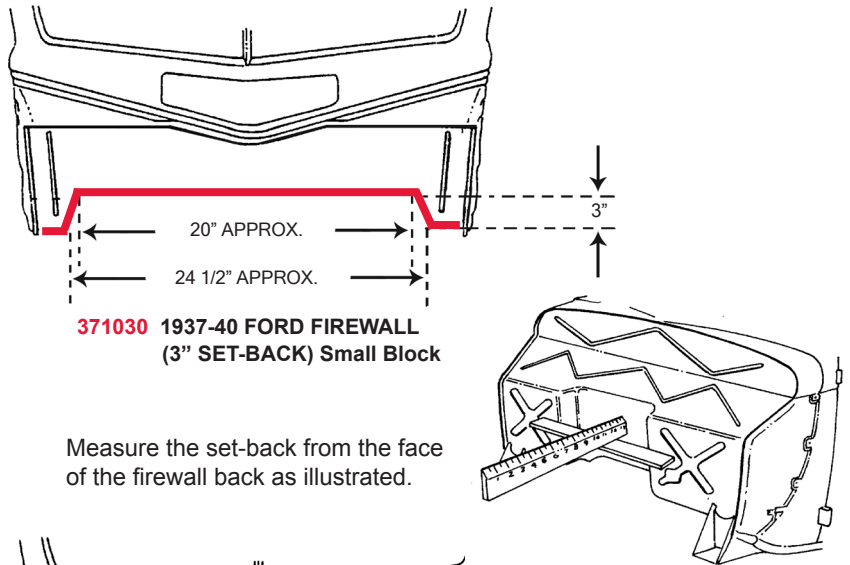


371012 37-40 FORD FIREWALL KIT Big Block

The big block kit has an opening of 29" wide & 5" deep for those big muscle cars. A lot of these kits are being used for small blocks to allow for even more engine compartment room.

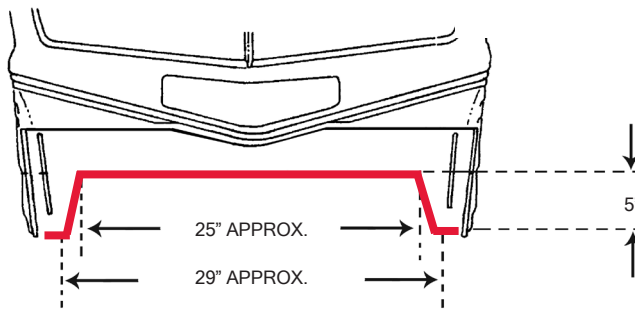


371037 37-40 FORD COWL VENT FILLER



371030 1937-40 FORD FIREWALL (3" SET-BACK) Small Block

Measure the set-back from the face of the firewall back as illustrated.

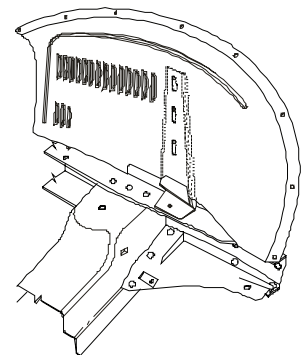


371012 1937-40 FORD FIREWALL (5" SET-BACK) Big Block

NOTE: These firewalls are designed for the most popular engine-transmission conversion which is Chevy engine & GMC turbo transmission. Any other engine installation (Ford, Mopar, etc.) may require rework of the bell housing area of the firewall.



391000 39-40 POSI-ALIGN FENDER APRON KIT
 (Also fits: '39-41 Sed. Del. & '40-41 PU)



This kit replaces the old sling shot type core support & moves the hanger out onto the frame.

FRONT FLOORBOARDS

For years Bitchin Parts has manufactured front floors for the 39-40 Ford passenger cars. After a lot of research & looking at each of the different Ford models between 37 & 40 we gathered enough info to produce the rest of the floors. Refer to the specs chart (on next page) to determine the exact rear or trunk floor your particular car needs. Each rear floor & trunk kit is made of 16 gage cold rolled steel & comes with all instructions needed to install your kit. If you have any questions call our customer service department at (928) 420-6346.

NOTICE: Please see next page for specs & details on our rear or trunk floor kits



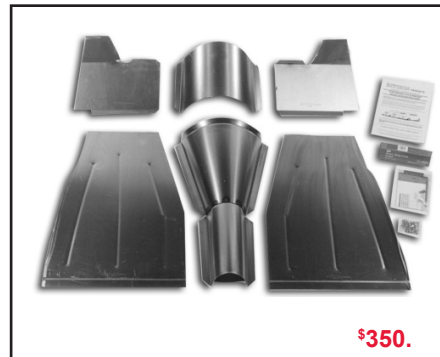
351073 37-40 FORD FRONT FLOOR KIT Small Block

This kit is designed to match up with Bitchin Parts small block firewall 371030.



351077 37-40 FORD FRONT FLOOR KIT Universal

This kit will fit up to your stock firewall or can be trimmed to fit a modified firewall.



351014 37-40 FORD FRONT FLOOR KIT Big Block

This kit is designed to match up with Bitchin Parts big block firewall 371012.

REAR & TRUNK FLOORBOARDS



371006 37-40 FORD REAR FLOOR KIT



371055 37-38 FORD TRUNK KIT Cabriolet



371062 39 FORD TRUNK KIT Convertible



371050 37-38 FORD TRUNK KIT Standard Sedan & Coupe



371060 39 & 40 FORD TRUNK KIT Standard & Deluxe



371065 39-40 FORD TRUNK KIT Coupe & Deluxe

NOTICE: Please see next page for specs & details on our rear or trunk floor kits.

All of our rear floors will match up to our front floors or stock floors with very little adjustment. All of our trunk floors will match up to our rear floors or stock rear floors with very little adjustment.

Please call our customer service line at (928) 420-6346 with any questions.

REAR FLOOR SPECS INDEX - 37 Passenger Cars				
BODY STYLE	MFG. TOTALS		REAR FLOOR	TRUNK FLOOR
2 Door Sedan, Slant Back	328,936		371006	371050
2 Door Sedan, Hump Back	200,129		371006	371050
4 Door Sedan, Slant Back	59,766		371006	371050
4 Door Sedan, Hump Back	109,005		371006	371055
Roadster	1,067	Rumble Seat	351050	351055
Coupe	114,908		371006	371050
Club Coupe	1,067		371006	371050
Cabriolet	9,341	Rumble Seat	351050	371055
Club Cabriolet	6,235	Trunk	371006	371050
REAR FLOOR SPECS INDEX - 38 Passenger Cars				
BODY STYLE	MFG. TOTALS		REAR FLOOR	TRUNK FLOOR
2 Door Sedan, Standard	82,414		371006	371050
2 Door Sedan, Deluxe	89,105		371006	371060
4 Door Sedan, Standard	17,166		371006	371050
4 Door Sedan, Deluxe	61,063		371006	371060
Coupe, Standard	31,556		371006	351050
Coupe, Deluxe	16,777		371006	371050
Club Coupe	5,393		371006	371050
Cabriolet (Convertible)	3,069	Rumble Seat	351050	371055
Club Cabriolet (Convertible)	4,011	Trunk	371006	371050
REAR FLOOR SPECS INDEX - 39 Passenger Cars				
BODY STYLE			REAR FLOOR	TRUNK FLOOR
2 Door Sedan, Standard			371006	371060
2 Door Sedan, Deluxe			371006	371060
4 Door Sedan, Standard			371006	371060
4 Door Sedan, Deluxe			371006	371060
Coupe, Standard			371006	371065
Club, Deluxe			371006	371065
Convertible, Rumble Seat only			351050	371062
REAR FLOOR SPECS INDEX - 40 Passenger Cars				
BODY STYLE			REAR FLOOR	TRUNK FLOOR
2 Door Sedan, Standard			371006	371060
2 Door Sedan, Deluxe			371006	371060
4 Door Sedan, Standard			371006	371060
4 Door Sedan, Deluxe			371006	371060
Coupe, Standard			371006	371065
Club, Deluxe			371006	371065
Convertible			371006	371065

STONE GUARD KITS AND DEEP WHEEL WELLS

Our Stone Guard Kits were designed to prevent stones, small gravel, etc from hitting the underside of your fender & destroying the paint on the outside. These kits are made of 18 gauge cold rolled steel & come with 4 guards (each is formed to match the curvature of your car fender). Each kit contains new braces for easy installation.



\$235

391003 39 FORD
Deluxe & all 40 Passenger Cars



\$235.

391010 39 FORD
Standard Passenger Car



\$240.

371022 37-38 FORD
Passenger Car

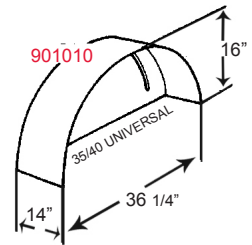


\$358.

901010 DEEP WHEEL WELLS

Universal (Fits 1935 to 1948 Fords)

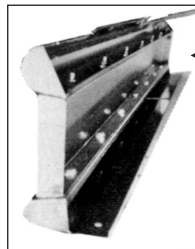
If you plan on putting wide wheels & tires on your car or pro-streeting it, we have just what you need. Our universal deep wheel well kit (B.P. No. 901010) was designed just for that purpose. These 18 gauge cold rolled all steel wheel tubs are 36" from end to end & a full 14" deep. You can install these beauties in as deep as you like for your particular project. All our deep wheel well kits have mounting angles.



1937-40 DASHBOARDS



Out of the Box



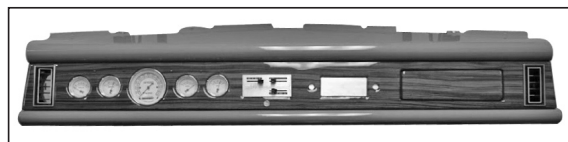
Steel Designer Dashes

Backside of Designer Dash

The following are Samples of How You Could Custom Finish Your Dash



Picture 1 - Brushed Aluminum w/Hide-a-switch



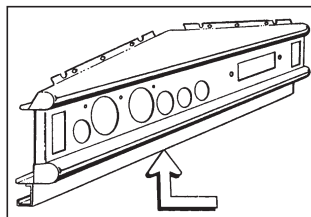
Picture 2 - Wood Finish



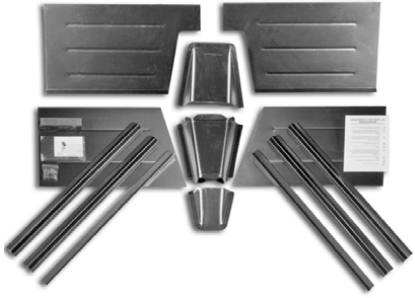
Picture 3 - Painted

YEAR OF VEHICLE	PART #	PRICE
37-39 FORD, Coupe, Sedan - Steel Face	371032	\$350.
37-40 FORD, Conv. - Woody - Steel Face	371042	\$350.
40 FORD, Coupe, Sedan - Steel Face	401015	\$350.
NOTICE: Face is 4 3/4" wide - Custom widths - \$35.00		

HIDE-A-SWITCH panels for your new dash. This bolt-on accessory comes in one piece & can be sectioned & fit to steering column drops or consoles. It can be turned at two different angles to give you a 2" or 3" face. We offer two different lengths- 47" & 60" for wider cars. **371038 Hide-A-Switch - 47" - \$65.**
371041 Hide-A-Switch - 60" - \$70.



UNIVERSAL FLOORS



901030 \$325 All Purpose Front Floor Kit



901035 \$325 All Purpose Rear Floor Kit

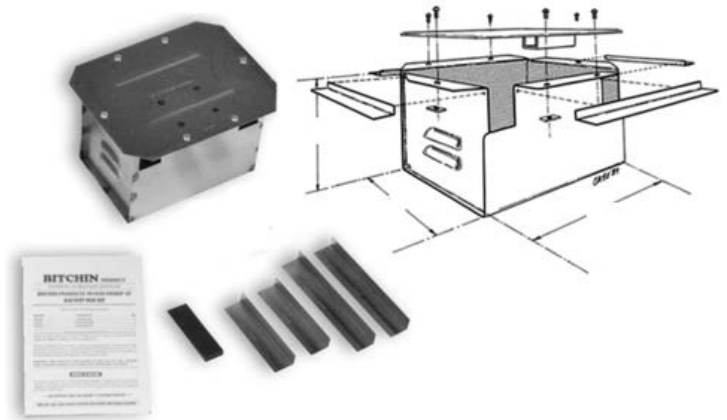
BATTERY BOXES

BATTERY BOXES

Group 42	901020	\$110.00
Group 71	901006	\$110.00
Optima Box	901040	\$110.00

Mounting a battery in a street rod has always created problems, some major and some minor. Our battery box kits will solve most of the problems. The universal mounting brackets supplied with these kits allow you to choose the mounting method which best suits your application, including flush floor mounting, side mounting, or halfway through the floor for extra ground clearance. We offer three kits. The positive battery hold down, adequate ventilation & cable protection give added security to your battery installation.

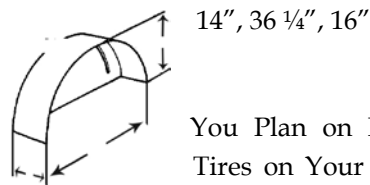
- Group 42: 9 3/4 L x 7 W x 7 1/2 H
- Group 71: 8 1/2 L x 7 1/4 W x 9 1/4 H
- Optima: 10 1/2 L x 7 1/4 W x 8 1/2 H



UNIVERSAL DEEP WHEEL TUB

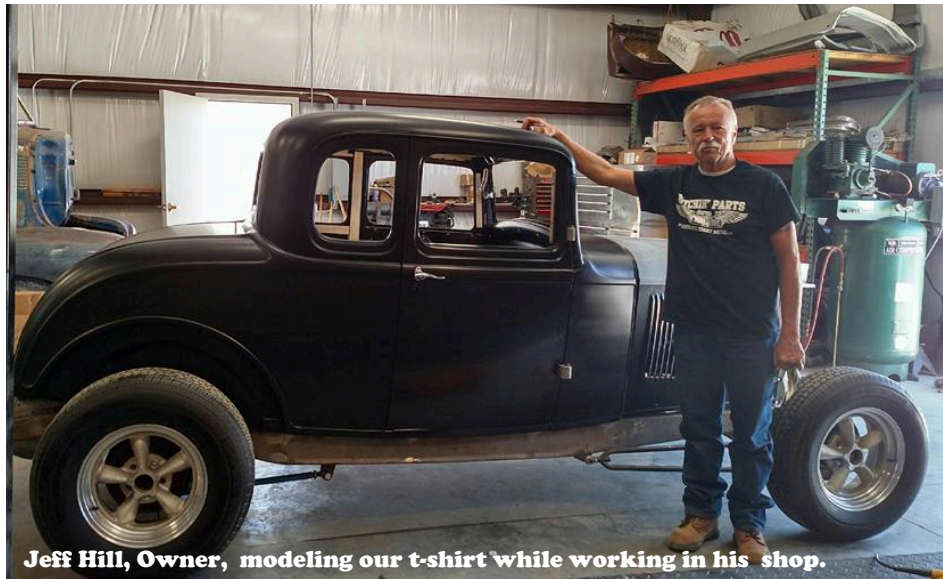
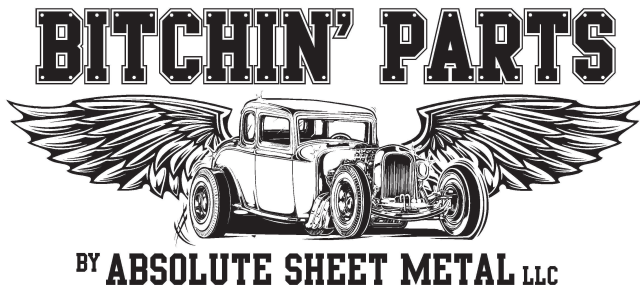


901010 \$358 Deep Wheel Tubs Universal



You Plan on Putting Wide Wheels & Tires on Your Car or Pro-Streeting it, We Have Just What You Need. Our Universal Deep Wheel Tub Kit (No. 901010) Was Designed for Just That. These 18 Gauge Cold Rolled All Steel Wheel Tubs Are 36" From End to End & a Full 14" Deep. You Can Install These Beauties In As Deep As You Like for Your Particular Project. All Our Deep Wheel Tub Kits Have Mounting Angles.

Bitchin T-Shirts Now Available!



Jeff Hill, Owner, modeling our t-shirt while working in his shop.

ONLY \$15.95!

**Sizes: Medium to 3XL
Black or White T-Shirt**