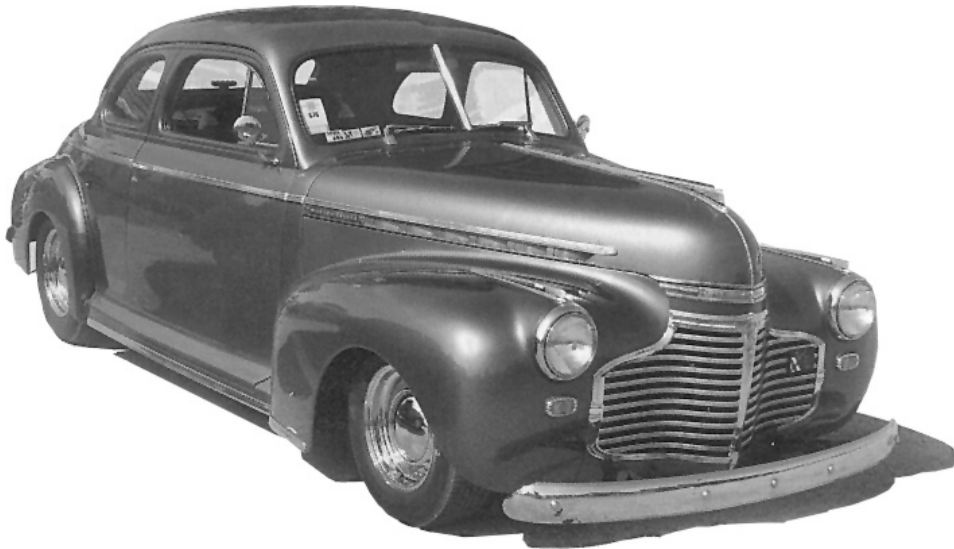


1941-48 CHEVY CARS



Bitchin Parts For Bitchin Cars

TECHNICAL INFO FOR FIREWALLS.....	2
41-48 FIREWALLS.....	2
LOWER BODY SUPPORT KIT	2
COWL VENT FILLER	2
ROCKER PANELS	3
FRONT FLOORBOARDS (COUPE, SEDAN & CONVERTIBLE)	3
REAR FLOORBOARDS (COUPE, SEDAN & CONVERTIBLE)	4
TRUNK FLOORBOARDS (COUPE, SEDAN & CONVERTIBLE)	4
TRANNY COVER	4
DASHBOARDS & HIDE A SWITCH.....	5
DEEP WHEEL WELLS.....	5
UNIVERSAL PARTS	6

All Prices are subject to change without notice.

41 CHEVY FIREWALLS & TECH INFO, LOWER BODY SUPPORT , BODY MOUNT KIT & COWL VENT FILLER

The Set-Back Information Provided on This Page Is For your Information

These references are to help you decide which firewall kit will best fit your particular application. There are many factors which will affect your choice of kits; engine set-back, radiator core thickness, air conditioning or super chargers. You need to determine the length of the engine package you intend to install & then figure out the distance you have from the back of the radiator core to the stock or existing firewall. To do this you will know how much extra room or set-back you will need. The firewall only fits in one place in the body, but your engine can be moved forward or backward as much as needed to obtain proper clearances. If you have any questions, please call our customer service dept. @ (928) 420-6346.



\$380.00

742108 41-48 FIREWALL KIT
Small Block



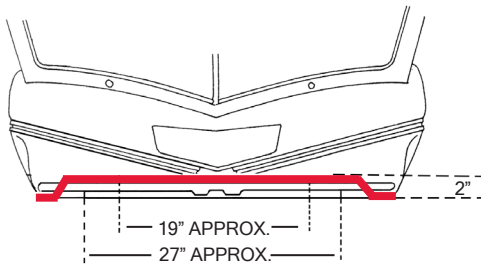
\$390.00

742110 41-48 FIREWALL KIT
Big Block

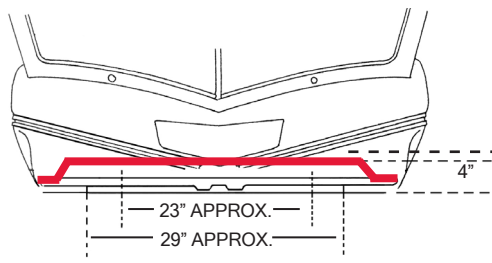


\$170.00

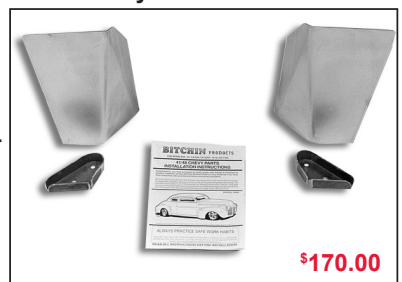
742135 LOWER BODY SUPPORT KIT
Designed to fit only the 1941 Chevy Cars



744108 41-48 CHEVY FIREWALL
(2" SET-BACK) Small Block



744110 41-48 CHEVY FIREWALL
(4" SET-BACK) Big Block

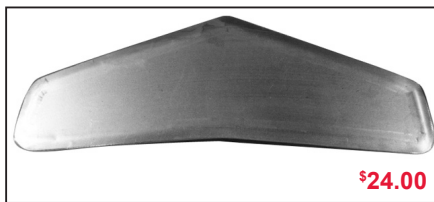


\$170.00

742175 LOWER BODY SUPPORT KIT
Fits 1942-48 Chevy cars, made of 16 gauge steel

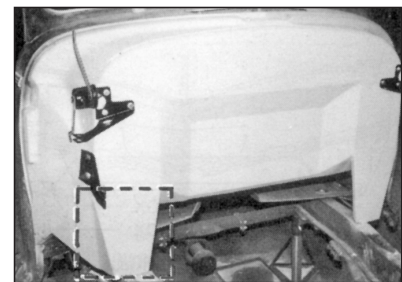
NOTE: These firewalls are designed for the most popular engine-transmission conversion which is Chevy engine & GMC turbo transmission. Any other engine installation (Ford, Mopar, etc.) may require rework of the bell housing area of the firewall.

***Bitchin Parts For
 Bitchin Cars***



\$24.00

740111 COWL VENT FILLER
1941-48



When Bitchin Parts designed our firewall, we also built a new smoothie kit to replace the lower body supports. These are great for when the body support brackets below the firewall collect a lot of moisture & rust out. They give a much smoother look. The 1941 brackets are made of 16 gauge steel & the 1942-48 are 12 gauge steel.



ROCKER PANELS



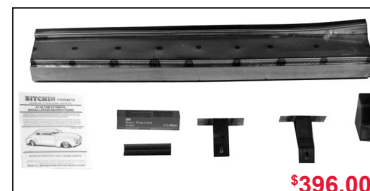
\$160.00

742153 41-48 ROCKER PANEL KIT
Rear - RH



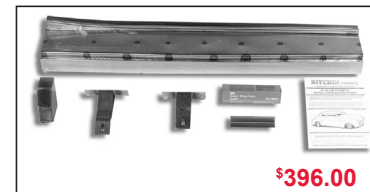
\$160.00

742154 41-48 ROCKER PANEL KIT
Rear - LH



\$396.00

742151 41-48 ROCKER PANEL KIT
Front - RH



\$396.00

742152 41-48 ROCKER PANEL KIT
Front - LH

The rocker panel area on these cars have a tendency to rust out or to have sustained damage through the years from rocks or curbs. We offer rocker box kits for Coupes, Convertibles, 2-Door Sedans & Sedan Deliveries. This panel is not just an outer skin, it is a complete box assembly. There are (2) kits. The front kit extends from the cowl post all the way back to approximately 1" behind the door opening. The rear kit goes from the rear of the front kit to the rear wheel well. These are smoothie kits. There are no pre-punched holes for mounting moldings or running board rubber. The boxes are made out of 16 gauge cold rolled steel & come complete with new body mounts, instructions for easy installation.

FRONT FLOORS - CHEVY COUPE & SEDAN



\$368.00

742112 41-48 COUPE & SEDAN
Matches up to Firewall #742108
(Small block - 2" Set-back)



\$368.00

742114 41-48 COUPE & SEDAN
Matches up to Firewall #742110
(Big block - 4" Set-back)



\$390.00

742116 41-48 COUPE & SEDAN
Universal Kit
(Use with your stock firewall)

Bitchin Parts makes (3) kits for the 41-48 front floorboards. The small block, big block & the universal (designed to match up to your stock firewall). They are made of 16 & 18 gauge cold rolled steel. Each kit comes complete with easy-to-follow instructions. Please call (928) 420-6346 with any questions.

FRONT FLOORS - CHEVY CONVERTIBLE



\$363.00

742176 41-48 CONVERTIBLE
Matches up to Firewall #742108
(Small block - 2" Set-back)



\$363.00

742180 41-48 CONVERTIBLE
Fits with Firewall #742110
(Big block - 4" Set-back)



\$363.00

742182 41-48 CONVERTIBLE
Matches up to your Stock
Firewall

Bitchin Parts manufactures Front Floorboards kits for the 41-48 Chevy Convertible. The Convertible is a rare item, but preferred by the Street Rodder. The Convertible frame has a huge center cross member which our floorboards are designed to clear. Each kit comes complete with easy-to-follow instructions. Please call (928) 420-6346 with any questions.

REAR FLOORBOARDS - CHEVY COUPE & SEDAN



\$495.00

742140 41-48 REAR FLOOR - COUPE
Section 1 2 BOXES



\$468.00

742142 41-48 REAR FLOOR - SEDAN
Section 1 2 BOXES



\$434.00

742143 41-48 REAR FLOOR - COUPE
Section 2

Bitchin Parts manufactures Rear Floorboard Kits for Sedans & Coupes. These kits have been designed to make your car more adaptable to modern seats & drive trains. They will splice right into our Front Floorboard Kits giving you a new floor from the firewall to the start of the trunk floorboard. These kits come complete with new body mounting brackets & instructions.



\$434.00

742144 41-48 REAR FLOOR - SEDAN
Section 2

CALL 1-928-420-1254
TO ORDER TODAY!

CHEVY REAR FLOORBOARDS - CONVERTIBLE



\$726.00

742185 41-48 REAR FLOOR - CONV.



\$396.00

742188 41-48 REAR FLOOR - CONV.
Section 2

The 1941 Chevy Convertibles are different from the Sedans & Coupes in the rear section. We divided the rear floorboard into two sections so you may order only the kits that you need. By purchasing the Front Floorboard Kit, Section 1 & 2 of the Rear Floorboard Kits & the Trunk Floorboard, you can have a complete new floorboard for your convertible.

CHEVY TRUNK FLOORBOARDS - COUPES, SED. & CONVERT.



\$407.00

742201 41-48 TRUNK FLOOR REPAIR KIT
COUPE, SEDAN & CONVERTIBLE

The 1941-48 Chevy Trunk Repair Kit is made out of 16 gauge cold rolled steel. These kits come complete with step by step instructions. By removing the spare tire well out of the Sedan trunk, the Coupe & Sedan Kits are the same. (Kit also fits Convertible)

CHEVY TRANNY COVER



\$187.00

742100 41-48 TRANNY COVER

If you want to use your old firewall & floorboards, but have a problem with the automatic transmission cover not clearing the tranny, Bitchin Parts, makes an 18 gauge cold rolled steel transmission cover complete it's a direct bolt-in part & will clear the auto transmission with ease. **NOTE:** Some slight modifications may be needed on the back edge of the tranny cover to fit the 41-48 Convertible cars.

41 - 48 DASHBOARDS, DEEP WHEEL WELLS & RADIATOR SUPPORT RODS



YEAR OF VEHICLE	PART #	PRICE
41-48 CHEVY - Steel	742120	\$352.00
NOTICE: Face is 4 3/4" wide - Custom widths - \$35.00		

Call
1-928-420-1254
to Order Today

DESIGNER DASHBOARDS out of the Box



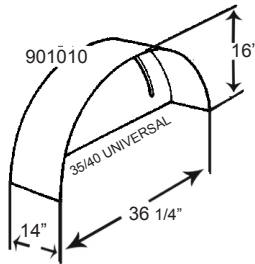
HIDE-A-SWITCH panels for your new dash. This bolt-on accessory comes in one piece & can be sectioned & fit to steering column drops or consoles. It can be turned at two different angles to give you a 2" or 3" face. We offer two different lengths - 47" & 60" for wider cars.

371038 Hide-A-Switch - 47" - \$60.00

371041 Hide-A-Switch - 60" - \$70.00



901010 DEEP WHEEL WELLS
Universal



If you plan on putting wide wheels & tires on your car or pro-streeting it, we have just what you need. Our universal deep wheel well kit (B.P. No. 901010) was designed for just that. These 18 gauge cold rolled all steel wheel tubs are 36" from end to end & a full 14" deep. You can install these beauties in as deep as you like for your particular project. All our deep wheel well kits have mounting angles.

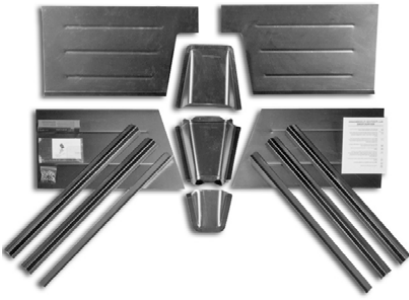
www.absolutesheetmetal.com



Larry Snow, Dewey, AZ



UNIVERSAL FLOORS



901030 \$325 All Purpose Front Floor Kit



901035 \$325 All Purpose Rear Floor Kit

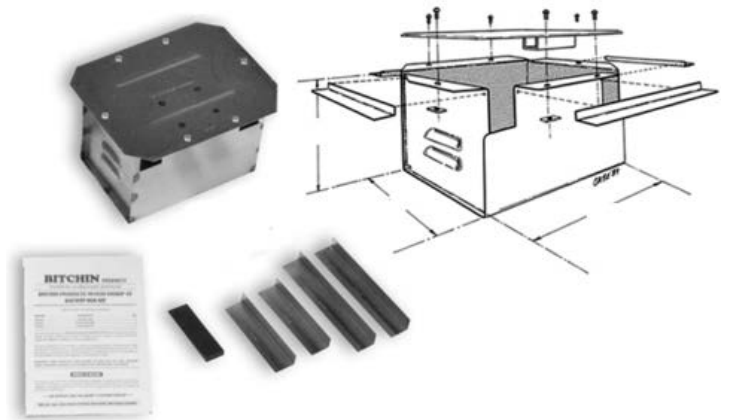
BATTERY BOXES

BATTERY BOXES

Group 42	901020	\$110.00
Group 71	901006	\$110.00
Optima Box	901040	\$110.00

Mounting a battery in a street rod has always created problems, some major and some minor. Our battery box kits will solve most of the problems. The universal mounting brackets supplied with these kits allow you to choose the mounting method which best suits your application, including flush floor mounting, side mounting, or halfway through the floor for extra ground clearance. We offer three kits. The positive battery hold down, adequate ventilation & cable protection give added security to your battery installation.

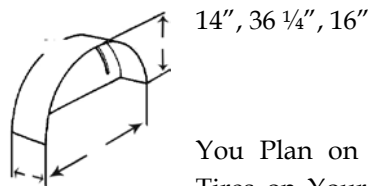
Group 42: 9 3/4 L x 7 W x 7 1/2 H
 Group 71: 8 1/2 L x 7 1/4 W x 9 1/4 H
 Optima: 10 1/2 L x 7 1/4 W x 8 1/2 H



UNIVERSAL DEEP WHEEL TUB

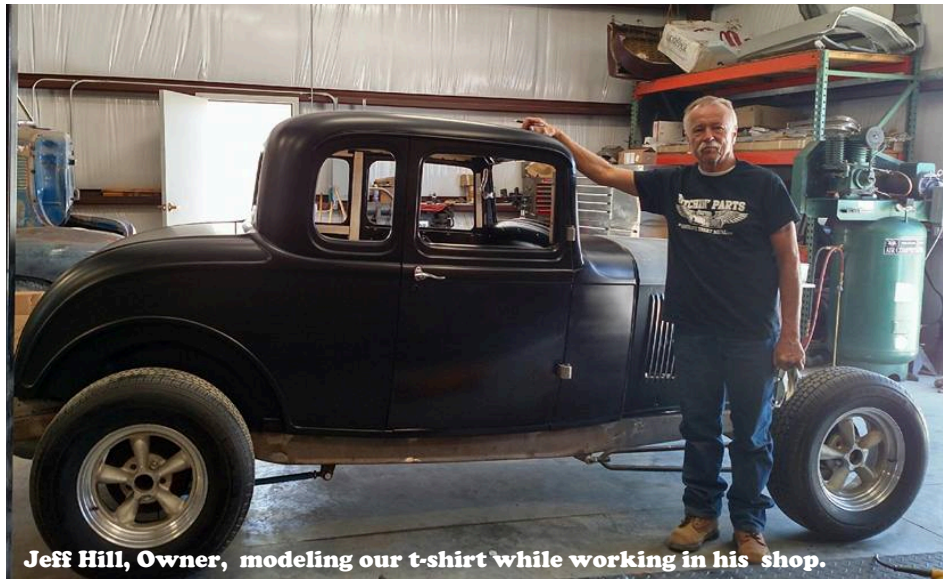


901010 \$358 Deep Wheel Tubs Universal



You Plan on Putting Wide Wheels & Tires on Your Car or Pro-Streeting it, We Have Just What You Need. Our Universal Deep Wheel Tub Kit (No. 901010) Was Designed for Just That. These 18 Gauge Cold Rolled All Steel Wheel Tubs Are 36" From End to End & a Full 14" Deep. You Can Install These Beauties In As Deep As You Like for Your Particular Project. All Our Deep Wheel Tub Kits Have Mounting Angles.

Bitchin T-Shirts Now Available!



Jeff Hill, Owner, modeling our t-shirt while working in his shop.

ONLY \$15.95!

Sizes: Medium to 3XL
Black or White T-Shirt